



It's not magic, it's engineering.®

Impact and Airborne Sound Control

GENIEMAT[®] RST

Underlayment for Reduced Sound Transmission



ASIA PACIFIC & NZ EDITION

GENIEMAT® RST

Sound Control Underlayment

FROM THE INVENTOR OF THE PATENTED TECHNOLOGY (US 6920723, US RE41945, CA 2398262) FOR RECYCLED RUBBER USED FOR IMPACT SOUND INSULATION, DIRECTLY BELOW FLOOR COVERINGS.

GenieMat RST is a flat, resilient, reduced sound transmission mat made from 94% recycled rubber content, used directly under hard surface floor finishes and over concrete and wood construction.

It is used when superior sound control is required in condominium, healthcare, education, office and other commercial buildings and protects ceramic tile, porcelain and stone from substrate cracks.

Engineered for direct adhered floor coverings such as tile, stone, wood, and vinyl floor coverings.

Tile – All products rated for minimum of commercial use.

Wood – **GenieMat FAS** adhesives offer superior bonding strength.

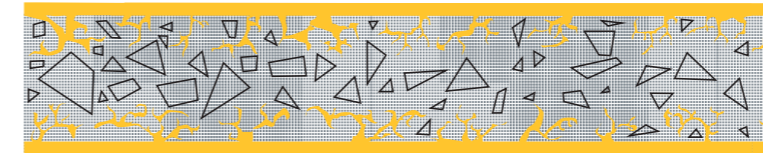
Vinyl – One-step method provides superior sound control for resilient floor coverings.

Features and Benefits:

- Mold, bacteria, fungi, and water resistant
- Exceeds pass criteria for point load test for crack isolation membrane (ANSI 118.12)
- Meets requirements for VOC emissions (IAQ test, ASTM D5116)
- Qualifies for LEED® points
- Floorscore® certified
- Complete floor covering system warranty available

PRODUCT SPECIFICATIONS				
PRODUCT	ROLL SIZE	AVERAGE DYNAMIC STIFFNESS (BS EN 29052)	TYPE A HARDNESS (ASTM D2240)	TCNA ROBINSON TEST WITH TILE (ASTM C627)
GenieMat RST02	1.21 m x 22.86 m	157 MN/m ³	40 durometer	Extra heavy commercial
GenieMat RST05	1.21 m x 9.14 m	105 MN/m ³	40 durometer	Moderate commercial
GenieMat RST10	1.21 m x 4.57 m	64 MN/m ³	40 durometer	Light commercial
GenieMat RST12	1.21 m x 4.57 m	60 MN/m ³	40 durometer	Light commercial
GenieMat RST15	1.21 m x 4.57 m	54 MN/m ³	40 durometer	Light commercial

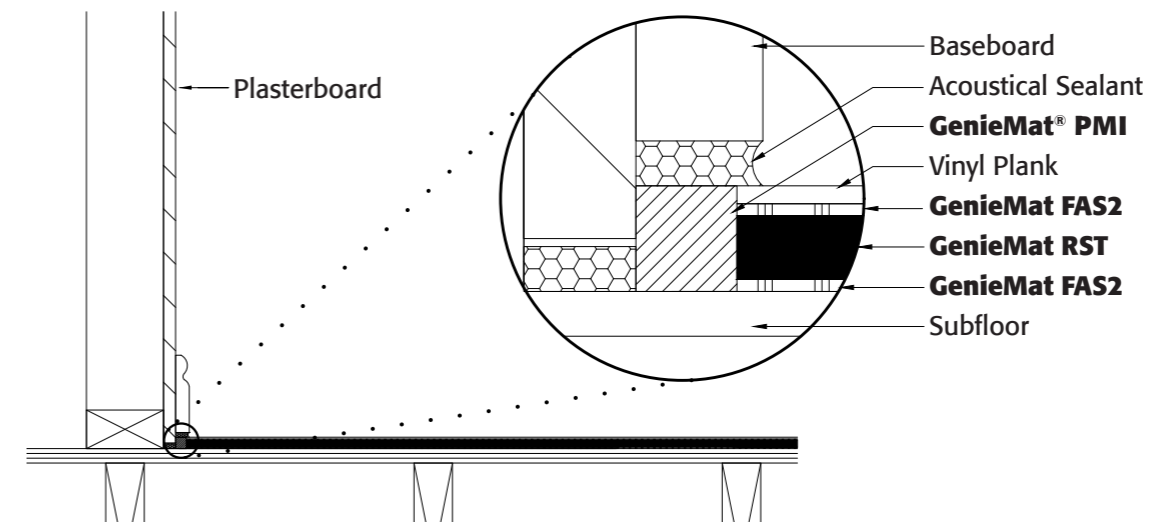
RUBBER IS THE BEST VIBRATION ISOLATION MATERIAL



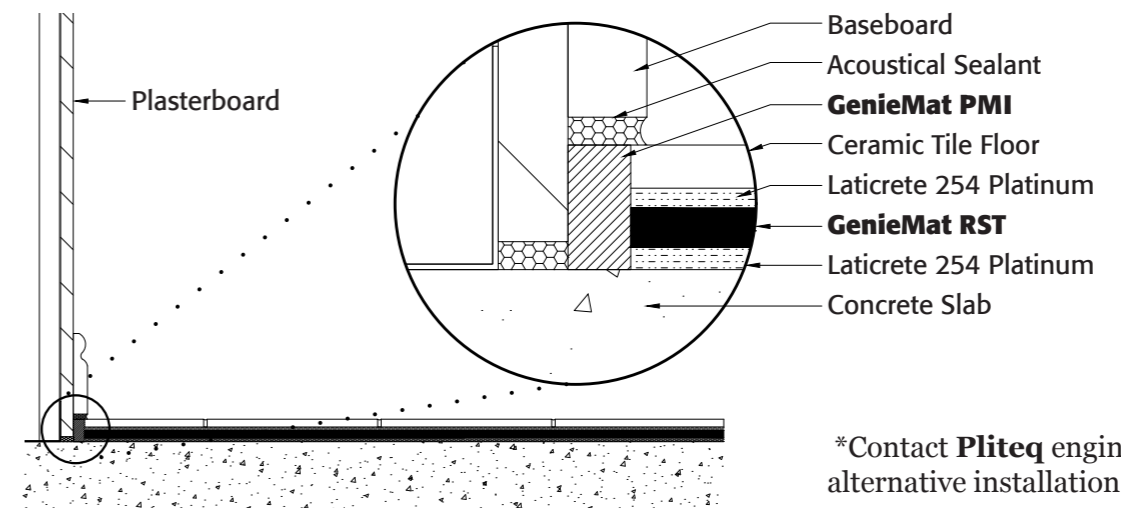
POSITIVE ADHESIVE LOCK
For very high bond strengths with adhered floor coverings.

APPROVED FOR PORCELAIN TILE, VINYL SHEET, LUXURY VINYL PLANK, CERAMIC TILE, AND ALL TYPES OF WOOD FLOOR

Fully Warranted Vinyl Plank System



Fully Warranted Ceramic Tile System

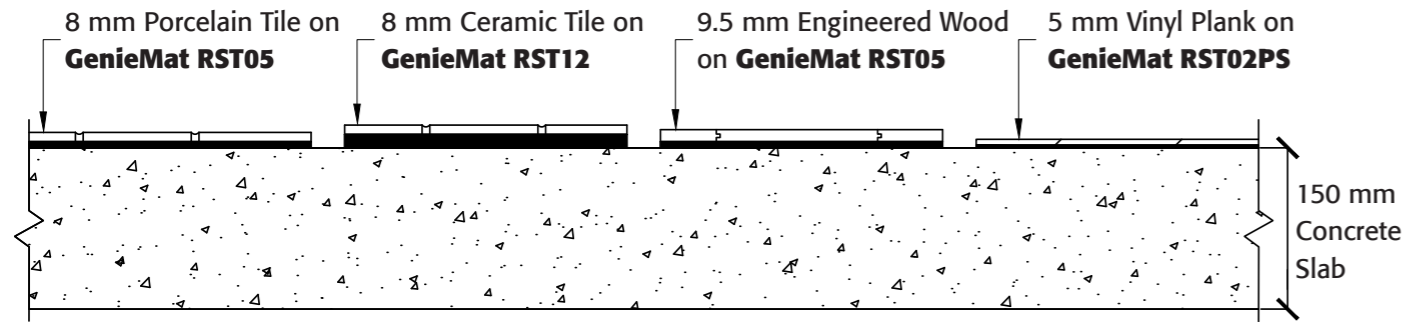


*Contact **Pliteq** engineering for alternative installation methods.

GENIEMAT® RST ACOUSTICAL TEST DATA

IMPACT INSULATION SYSTEM

150 mm Concrete Slab



50 IIC
20 ΔIIC
E2783.02

53 IIC
23 ΔIIC
7013025 7013026

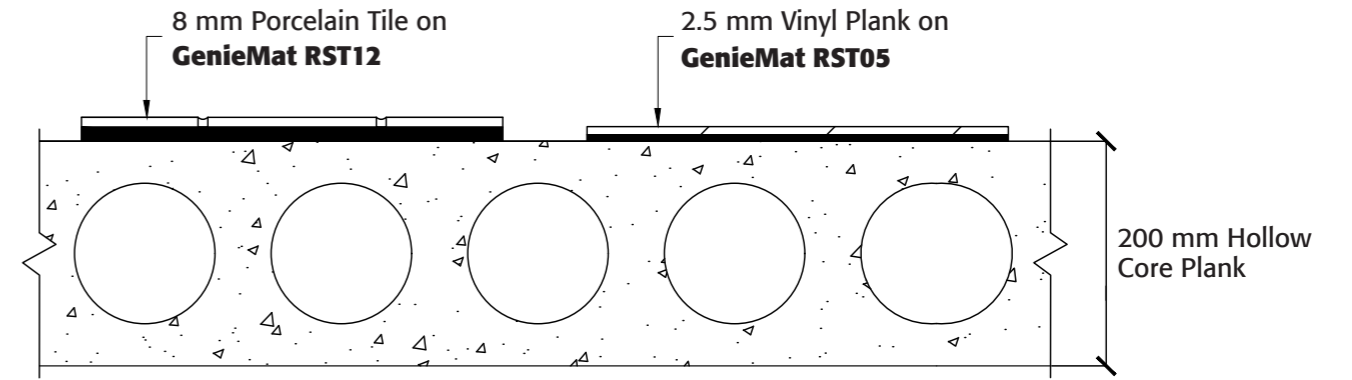
51 IIC
21 ΔIIC
7014011 7014012

52 IIC
23 ΔIIC
F9365.09

GENIEMAT® RST ACOUSTICAL TEST DATA

IMPACT INSULATION SYSTEM

Hollow Core Plank

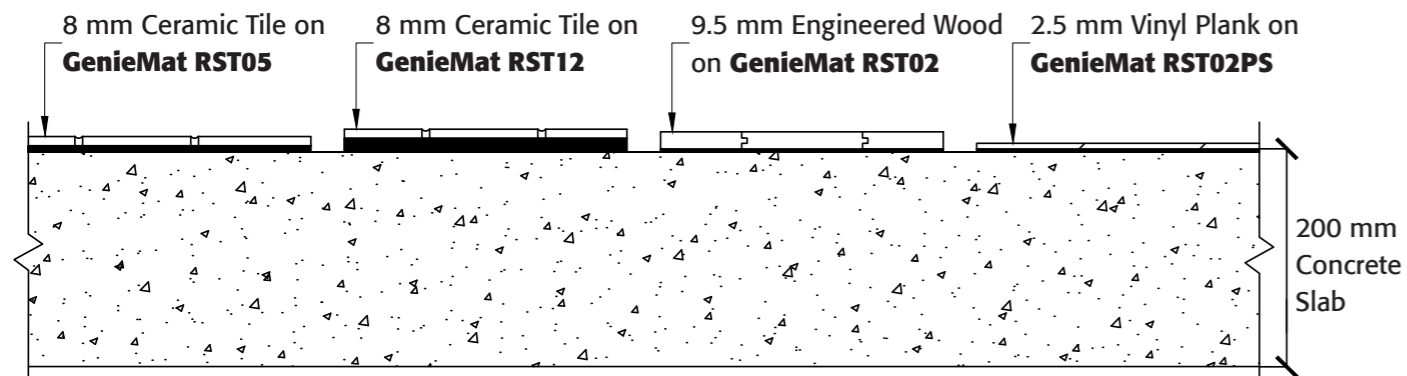


51 IIC
F0223.10

52 IIC
F0223.04

NOTE: No ceiling assembly tested.

200 mm Concrete Slab



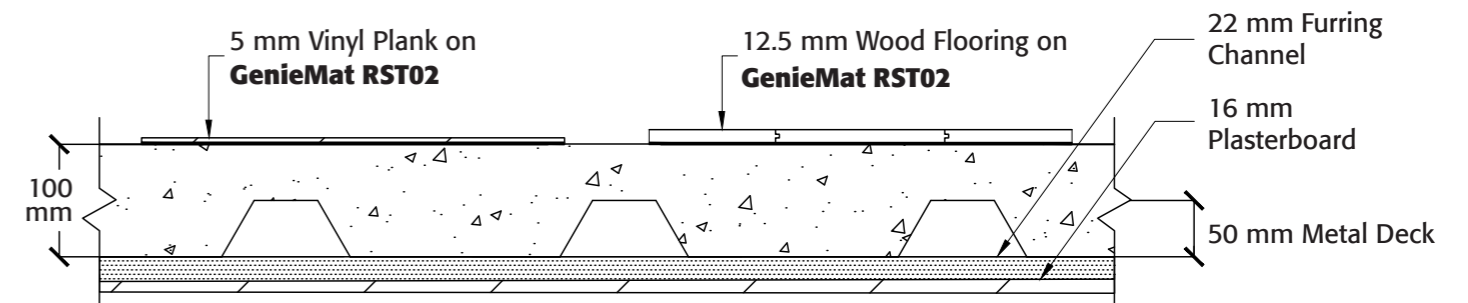
51 IIC
7013110

55 IIC
E8741.01

54 IIC
B3498.7

52 IIC
F8530.07

Composite Deck



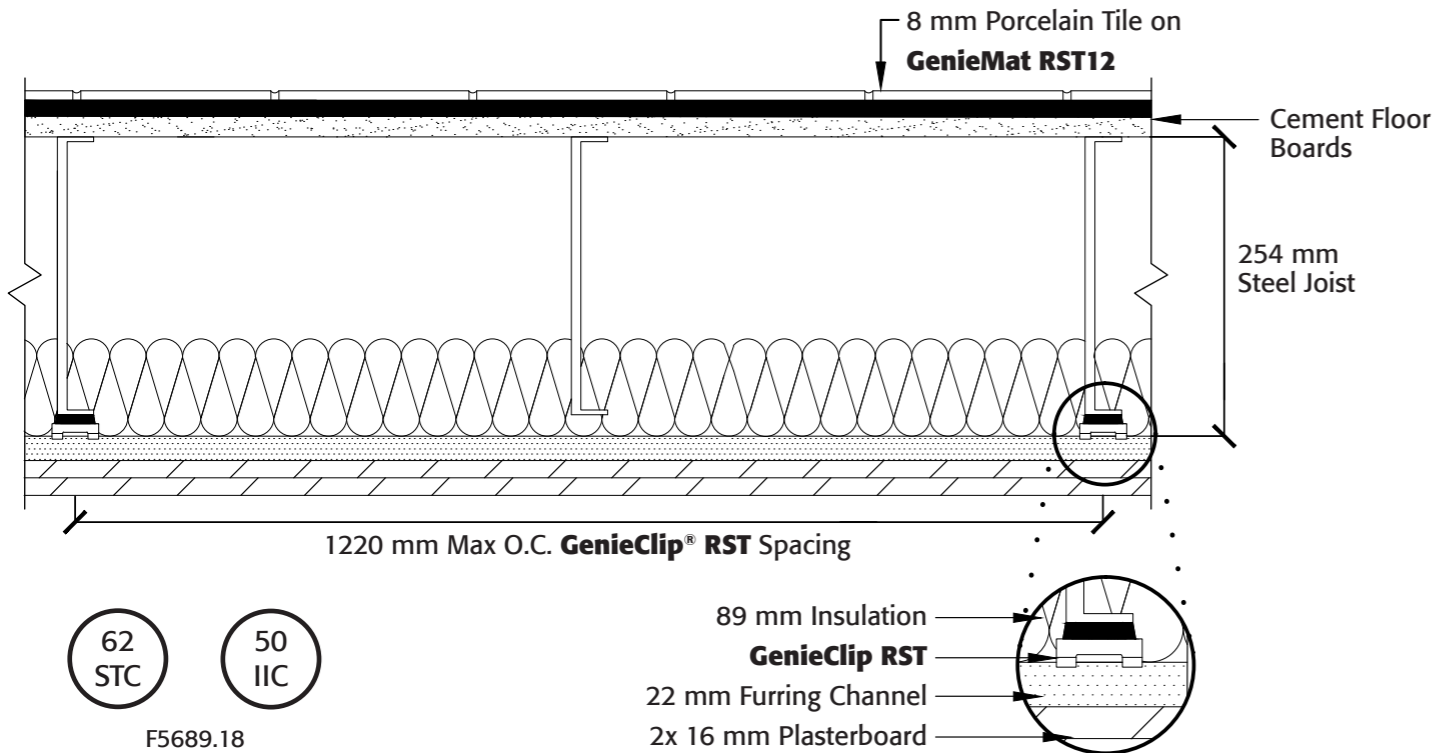
51 IIC
F5689.13

50 IIC
F5689.14

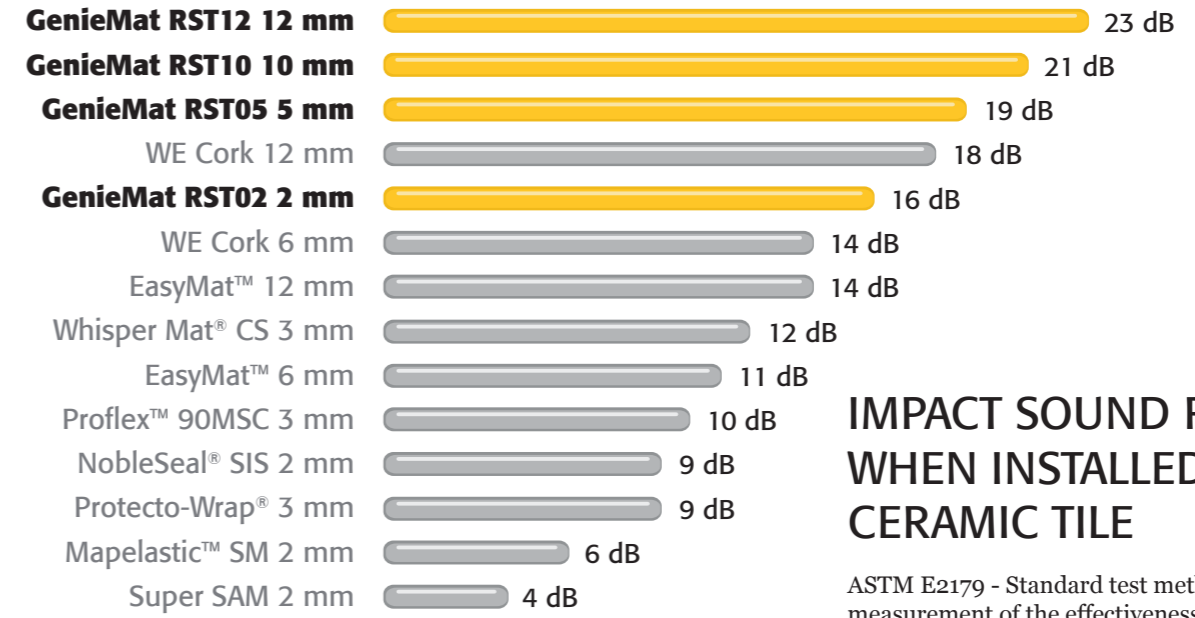
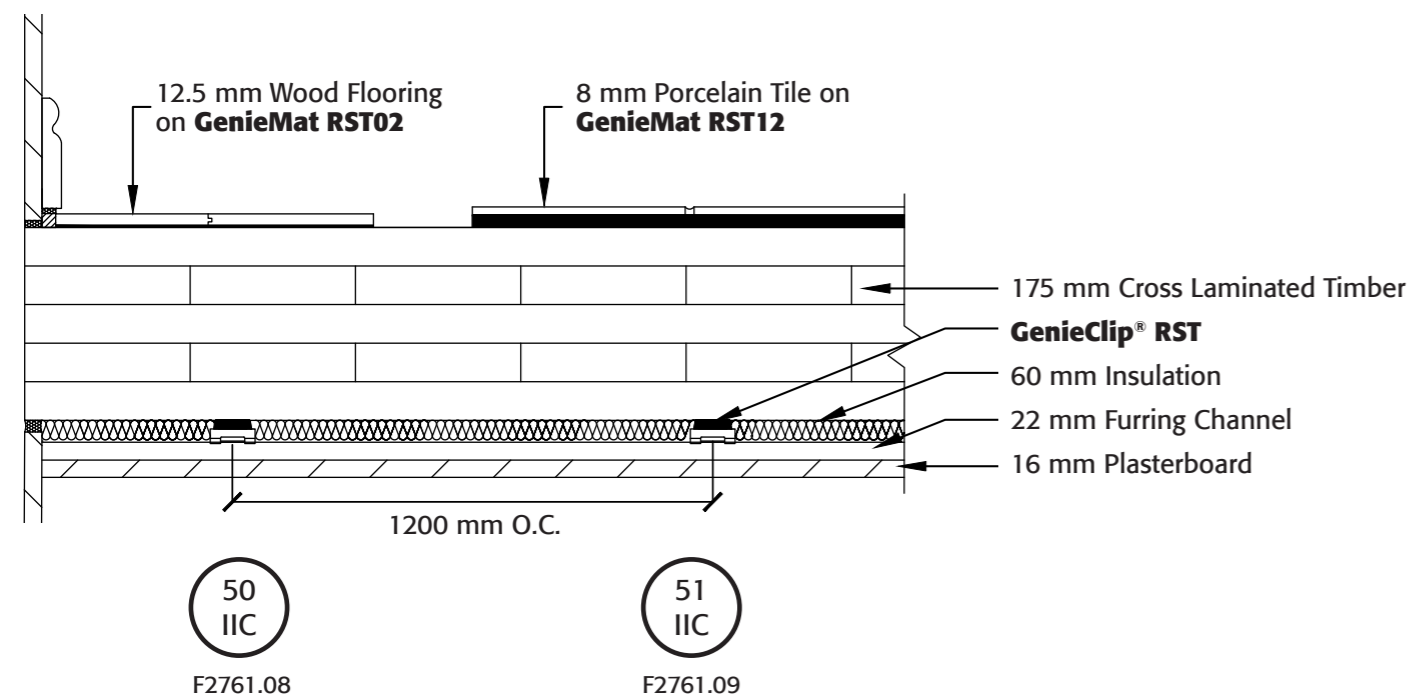
GENIEMAT® RST ACOUSTICAL TEST DATA

IMPACT INSULATION SYSTEM

Steel Joist



Cross Laminated Timber



All listed dimensions are nominal.

IMPACT SOUND REDUCTION WHEN INSTALLED BENEATH CERAMIC TILE

ASTM E2179 - Standard test method for laboratory measurement of the effectiveness of floor coverings in reducing impact sound transmission through concrete floors (150 mm concrete slab with tile).

ACOUSTICAL TESTING STANDARDS - WOOD STRUCTURES

TEST REPORT NUMBER	PRODUCT	FINISH FLOOR	STRUCTURE	SUBFLOOR	CEILING TYPE	STC RATING (ASTM E90)	IIC RATING (ASTM E492)
G0535.08	GenieMat® RST02PS	Vinyl Plank	Open Web Truss	19 mm Screed, 19 mm OSB	12 mm Resilient Bar, 16 mm Plasterboard	60	50
G0535.07	GenieMat RST02PS	Wood	Open Web Truss	19 mm Screed, 19 mm OSB	12 mm Resilient Bar, 16 mm Plasterboard	61	50
G0535.01	GenieMat RST02PS	Porcelain Tile	Open Web Truss	19 mm Screed, 19 mm OSB	12 mm Resilient Bar, 16 mm Plasterboard	62	51
F4832.18	GenieMat RST02	Porcelain Tile	Engineered Joist	12 mm Plywood, 19 mm OSB	GenieClip® RST, 2x 16 mm Plasterboard	59	55
F5500.03	GenieMat RST02	Vinyl Plank	Engineered Joist	12 mm Plywood, 19 mm OSB	GenieClip® RST, 2x 16 mm Plasterboard	61	60
F4832.14	GenieMat RST02	Wood	Engineered Joist	12 mm Plywood, 19 mm OSB	GenieClip® RST, 2x 16 mm Plasterboard	58	61
F2761.08	GenieMat RST02	Wood	CLT	None	GenieClip® RST, 16 mm Plasterboard	54	50
F2761.09	GenieMat RST12	Porcelain Tile	CLT	None	GenieClip® RST, 16 mm Plasterboard	55	51
E5958.07	GenieMat RST05	Vinyl Plank	CLT	None	300 mm Wire Suspended on GenieClip® LB, 16 mm Plasterboard	58	58
5013143 7013216	GenieMat RST02	Vinyl Plank	50 x 250 Solid Wood Joist	19 mm Plywood, 12 mm Plywood	GenieClip® RST, 12.5 mm Plasterboard	55	50
5013136 7013208	GenieMat RST02	Ceramic Tile	50 x 250 Solid Wood Joist	19 mm Plywood, 12 mm Plywood	GenieClip® RST, 12.5 mm Plasterboard	58	52

TEST RESULTS

ACOUSTICAL TESTING STANDARDS - CONCRETE AND STEEL STRUCTURES							
TEST REPORT NUMBER	PRODUCT	FINISH FLOOR	STRUCTURE	SUBFLOOR	CEILING TYPE	STC RATING (ASTM E90)	IIC RATING (ASTM E492)
G9222.01	None	Vinyl Plank	200 mm Concrete Slab	None	None	55	43
G9222.04	GenieMat® RST02	Vinyl Plank	200 mm Concrete Slab	None	None	54	57
E8741.01	GenieMat RST12	Ceramic Tile	200 mm Concrete Slab	None	None	57	55
F8530.06	GenieMat RST05	Wood	200 mm Concrete Slab	None	None	55	56
E2783.02	GenieMat RST05	Porcelain Tile	150 mm Concrete Slab	None	None	54	50
F9365.09	GenieMat RST02PS	Vinyl Plank	150 mm Concrete Slab	None	None	51	52
G2953.07	GenieMat RST05	Wood	150 mm Concrete Slab	None	None	52	53
F0223.10	GenieMat RST12	Porcelain Tile	200 mm Hollow Core Plank	None	None	54	51
F0223.04	GenieMat RST05	Vinyl Plank	200 mm Hollow Core Plank	None	None	53	52
G3991.07	GenieMat RST05	Porcelain Tile	140 mm Trapezoidal Steel Deck	None	GenieClip® RST, 16 mm Plasterboard	56	51
G3991.17	GenieMat RST02	Wood	140 mm Trapezoidal Steel Deck	None	Furring Channel	53	52
F9365.02	GenieMat RST05	Porcelain Tile	100 mm Trapezoidal Steel Deck	None	GenieClip RST, 2x 16 mm Plasterboard	58	51
F5689.07	GenieMat RST02	Vinyl Plank	100 mm Trapezoidal Steel Deck	None	GenieClip RST, 16 mm Plasterboard	54	54
F5689.06	GenieMat RST05	Wood	100 mm Trapezoidal Steel Deck	None	GenieClip RST, 16 mm Plasterboard	55	54
F5689.18	GenieMat RST12	Porcelain Tile	250 mm Steel Joist	19 mm Structural Concrete Panels	GenieClip RST, 2x 16 mm Plasterboard	62	50
F5689.20	GenieMat RST02	Vinyl Plank	250 mm Steel Joist	19 mm Structural Concrete Panels	GenieClip RST, 2x 16 mm Plasterboard	60	52
F5689.21	GenieMat RST02	Wood	250 mm Steel Joist	19 mm Structural Concrete Panels	GenieClip RST, 2x 16 mm Plasterboard	60	53
F3052.15	GenieMat RST10	Porcelain Tile	400 mm Insulated Concrete Form	None	12 mm Plasterboard	56	51
F3052.14	GenieMat RST05	Wood	400 mm Insulated Concrete Form	None	12 mm Plasterboard	54	53

CONTACT Us

For Your Project Specific Questions
Asia Pacific & NZ +65 8452 6865 | **Middle East** +971 4 813 5501 | **UK** +44 203 9846444
E. info@pliteq.sg

© Pliteq Asia Pacific PTE LTD. 2019.

*™ Trademarks of Pliteq Inc. The information provided is accurate to the best of our knowledge at the time of issue. However, we reserve the right to make changes when necessary without further notification. Suggested application may need to be modified to conform with local building codes and conditions. We cannot accept responsibility for products that are not used, or installed, to our specifications. All listed dimensions are nominal.



www.pliteq.sg