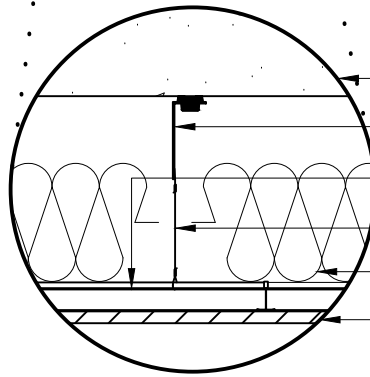
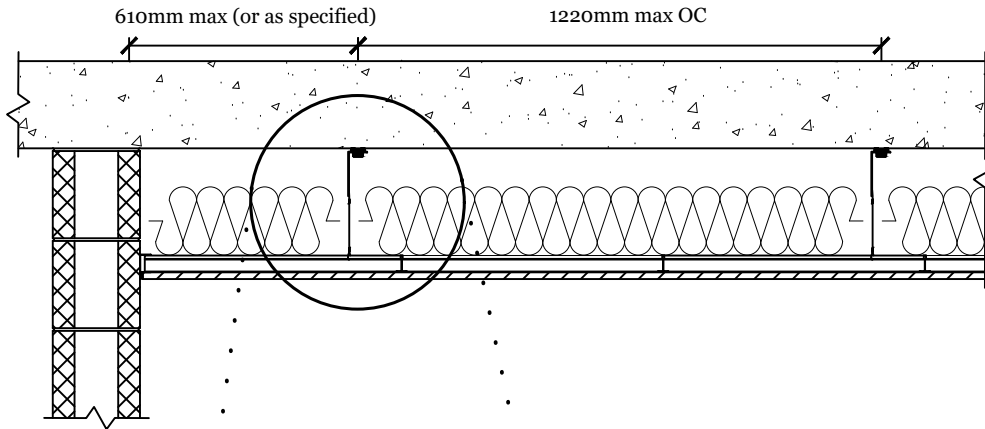
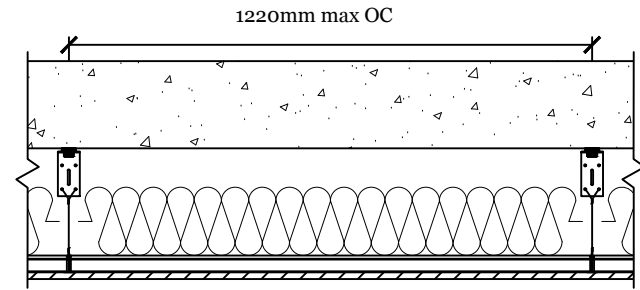


PROFILE VIEW

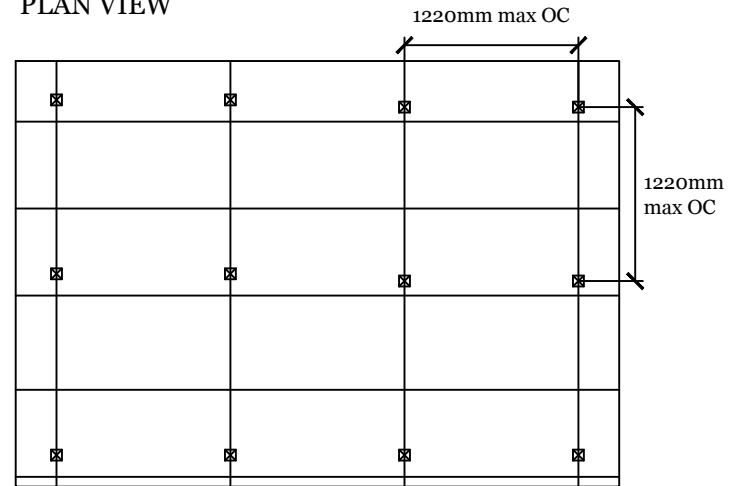


- Concrete Floor Slab
- GenieClip LB**
- Drywall Grid
- 12 Ga. Wire Hanger
- Insulation
- Drywall

FRONT VIEW



PLAN VIEW



Main Tee: North - South
 Cross Tee: East - West



Phone: +65 8452 6865
 cs@pliteq.sg

GENERAL NOTES:

The information provided in this drawing is accurate to the best of our knowledge at the time of printing. However, we reserve the right to make changes when necessary without notification.
 © **Pliteq Asia Pacific PTE LTD.**
2017.

Notes

PROJECT: GenieClip® LB Ceiling Suspension Series

DRAWING: Concrete Floor Slab to Drywall Grid Ceiling

DRAWN BY: J. Joo

DATE: 2017-01-10

DWG. NO.:
 LB12

SCALE: N/A